

Projecting and Installation manual



AXCALL

ADI-611/616/608

TABLE OF CONTENTS

1. INTRODUCTION	2
2. BLOCK DRAWING	3
Normal connection ADI-611 and ADI-616	3
Security connected ADI-611 and ADI-616	4
Normal connection ADI-616 and ADI-608	5
Normal connection ADI-616 and SWU	6
3 pcs DI-611 to 2 pcs SWU cascade connected	7
Connection of extra buzzer/signal device	8
Connection of extra amplifier/line amplifier	9
3. CONNECTION DIAGRAM	10
AXCALL ADI-611, ADI-616	10
AXCALL ADI-608	11
AXCALL SWU	12
4. CONNECTION EXAMPLE	13
ADI-611 to DI-651	13
ADI-616 to DI-651	14
2 pcs ADI-611 to SWU	15
2 pcs ADI-616 to SWU	16
Cascade connection of SWU	17
Cascade connection with SWU and ADI-608	18
Modification of front plate for LED indication	19
Mounting LED indication panel in DI-651	20
Connection of LED indication unit	21
Connection of ADI-611 to DI-651-1	22
Line amplifier DI-653-2 connected to DI-651	23
Line amplifier DI-653-2 connected to DI-653-1	24
Extra buzzer DI-653-1	25
AR-12 TO OTHER SIGNAL DEVICE	26
AR-12 AS SECURITY DEVICE	27

1. INTRODUCTION

Axcall is a conventional door intercom system, which means that cables between intercom and handset are needed. The system includes 2 different intercom **ADI-611** with 1 calling button and **ADI-616** with 6 calling buttons, and an extension unit **ADI-608** with 8 calling buttons. Inside the building one or more handsets can be mounted. **DI-651** is the standard unit, **DI-651-1** which has a button to turn off the calling signal, and one led to indicate e.g. opening signal, and **DI-651-2** which has 2 free push buttons.

A simple system includes door intercom, handset and power supply, and if opening function is needed an electrical strike. If more than one intercom will be connected to the one handset a switch unit **SWU** has to be included, if indication unit **DI-655** is added an indication from which intercom the call is coming from. If more than 6 calling buttons are needed you have to use extension unit **ADI-608**, then up to 14 handsets can be reached.

To one intercom maximum 3 handsets can be connected in parallel, if more want to be connected a line amplifier **DI-653-2** must be used to have enough buzzer signal. **DI-653-2** is a good complement if handset is in a noisy environment. If you need a stronger buzzer signal or a signal on more than one place, use speaker **DI-653-1**. To have a safer system use the security relay **AR-2**, then you get a more manipulating safer function. Our transformer **TF-3** *must* be used as power supply, one to the whole system. It is a 24VDC transformer and has a 2200uF capacitor on the output. The choice of power supply is very important to avoid noise in the system.

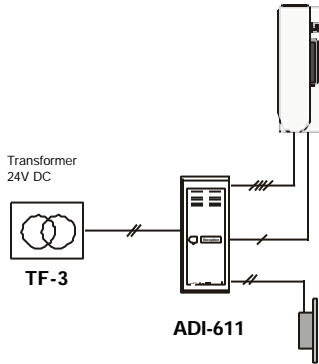
Here is some block drawing showing the most common connections. The number of wires that shows in the drawings is the minimum, we recommend that more wires are added to cover extra functions (e.g. power supply to line amplifier, LED indication).

2. BLOCK DRAWING

NORMAL CONNECTION ADI-611 AND ADI-616

Normal installation

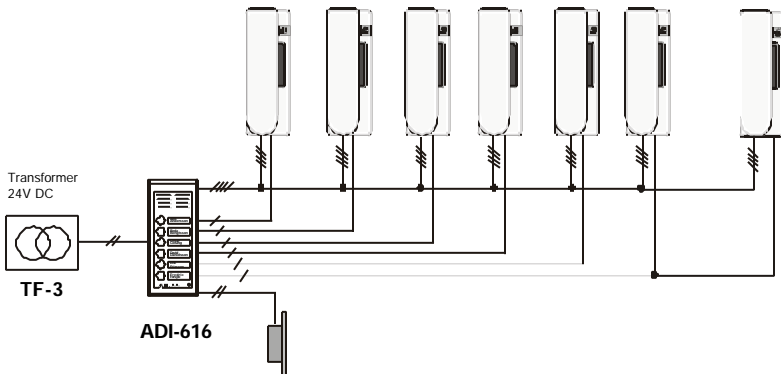
Handset DI-651

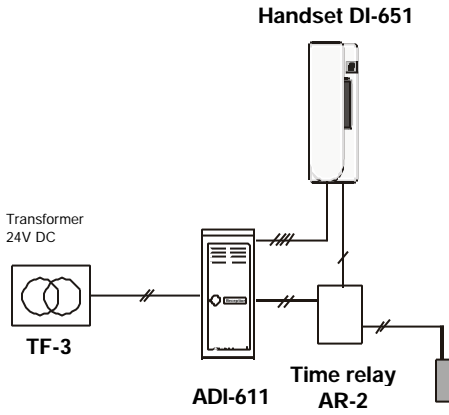
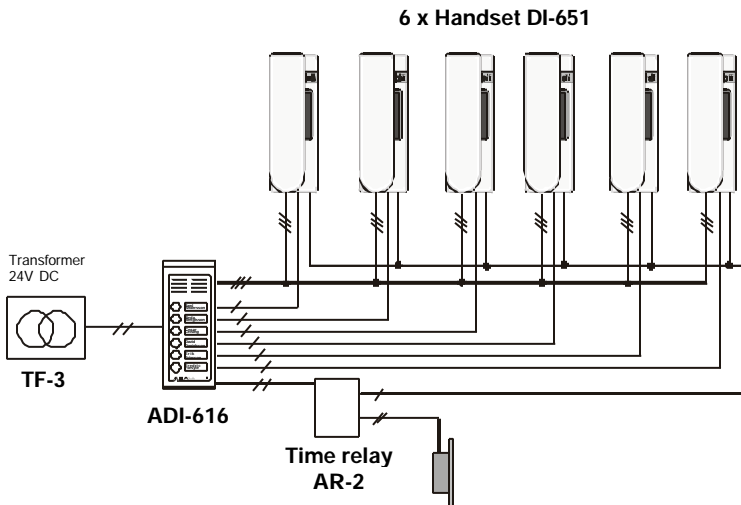


Normal installation

7 x Handset DI-651

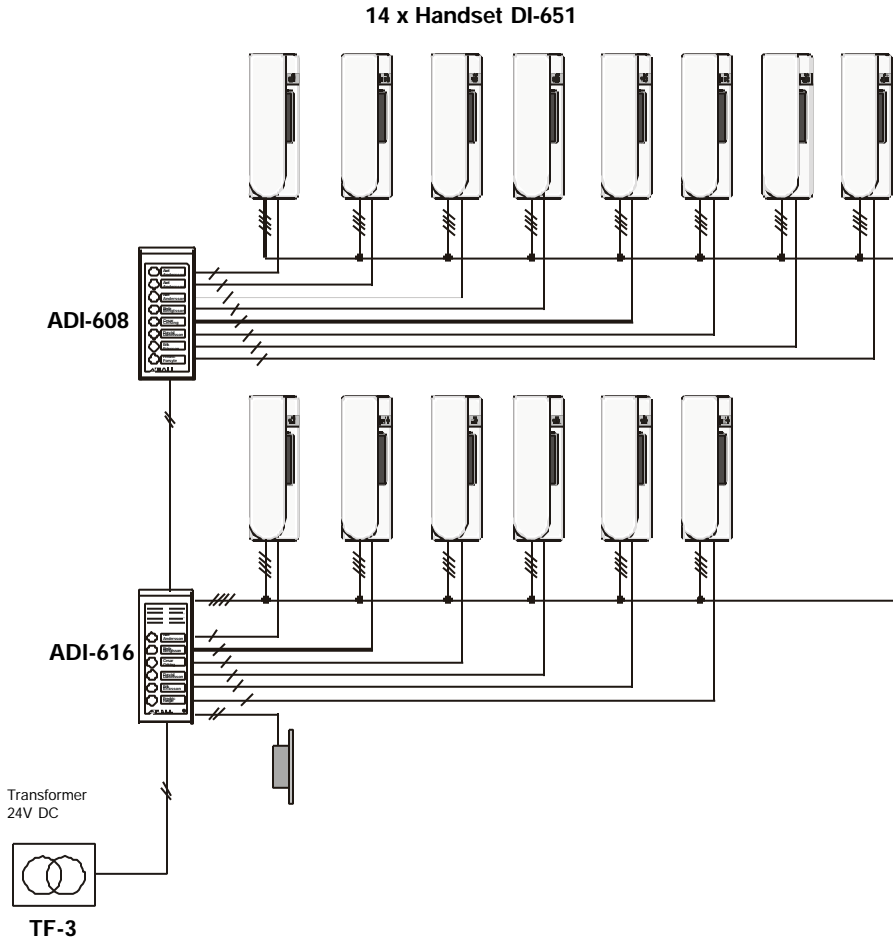
Handset in parallel
to button 6



SECURITY CONNECTED ADI-611 AND ADI-616
**External opening relay
(high security)**

**External opening relay
(high security)**


NORMAL CONNECTION ADI-616 AND ADI-608

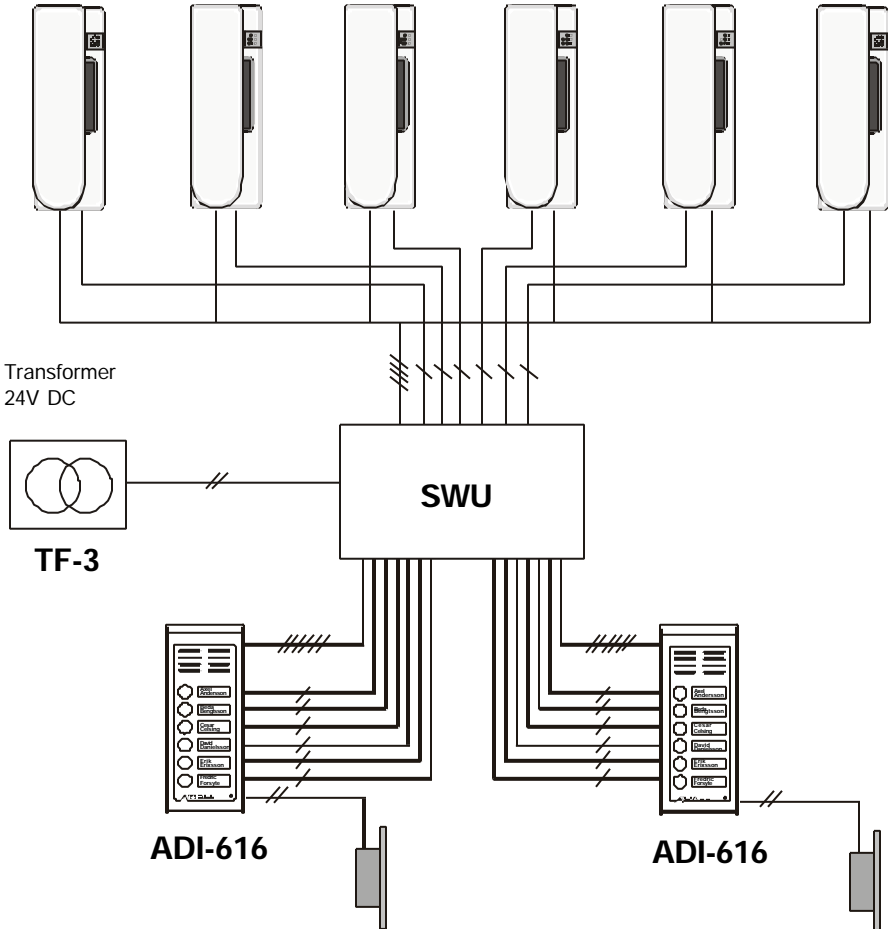
Extension to 14 connections



NORMAL CONNECTION ADI-616 AND SWU

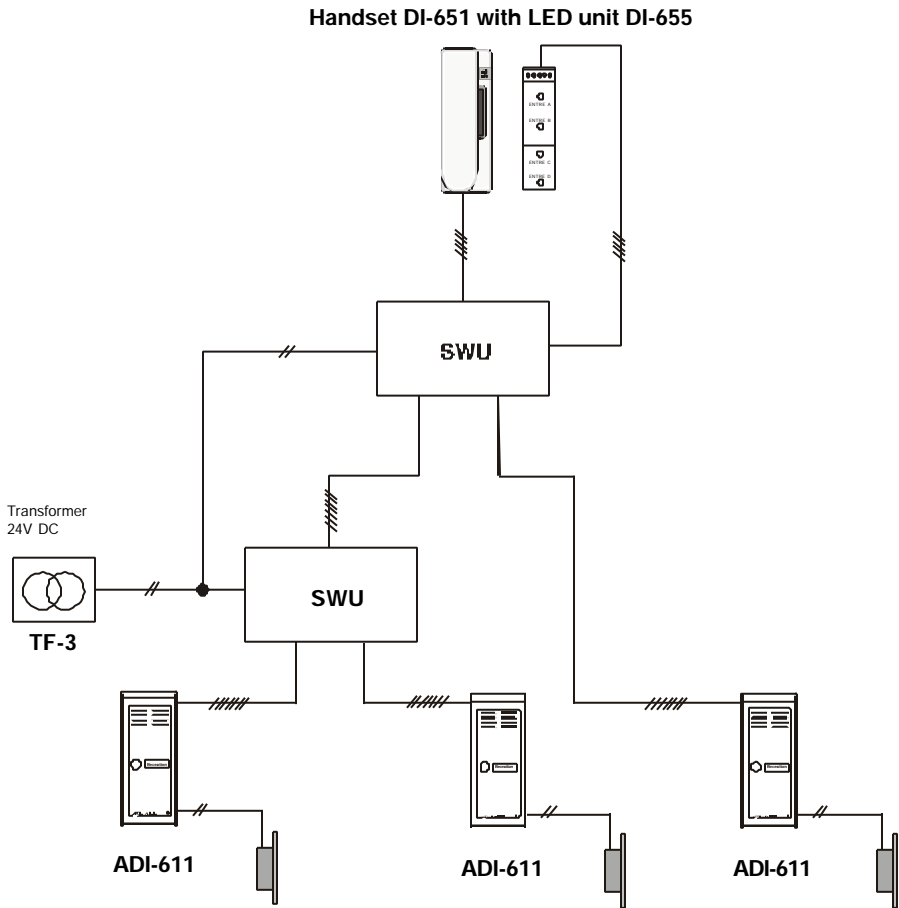
Normal installation using SWU

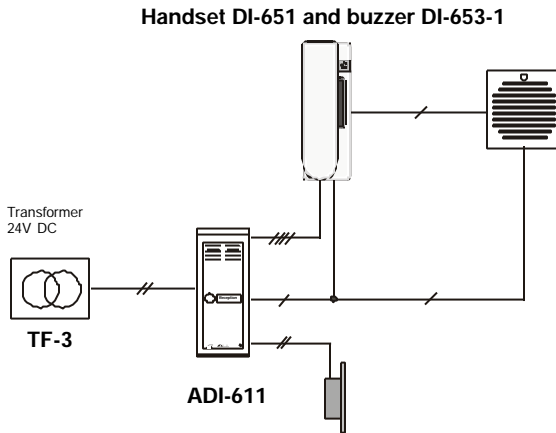
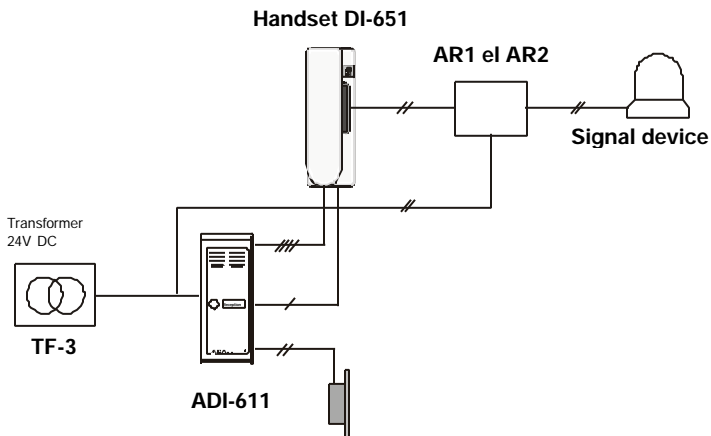
6 x Handset DI-651



3 PCS DI-611 TO 2 PCS SWU CASCADE CONNECTED

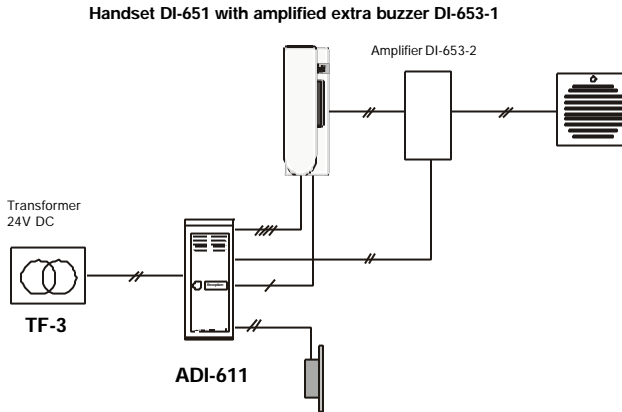
Normal intallation with 2 SWU cascade connected



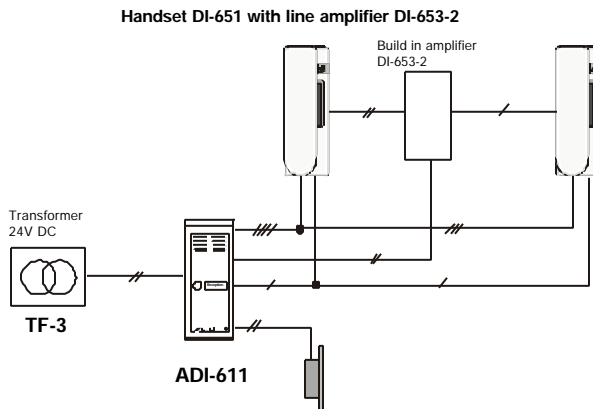
CONNECTION OF EXTRA BUZZER/SIGNAL DEVICE**Normal installation using extra buzzer****Normal installation using extra signal device**

CONNECTION OF EXTRA AMPLIFIER/LINE AMPLIFIER

Installation using amplifier to extra buzzer

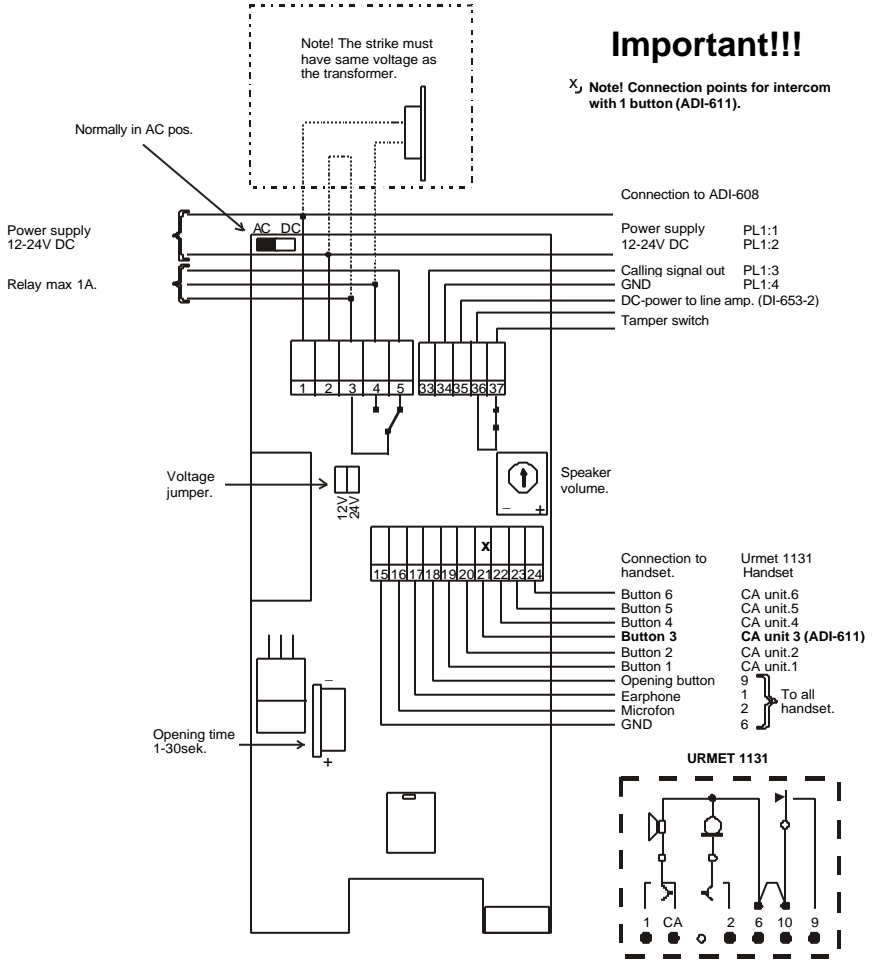


Installation with amplified buzzer signal



3. CONNECTION DIAGRAM

AXCALL ADI-611, ADI-616



Important!!!

Xj Note! Connection points for intercom with 1 button (ADI-611).

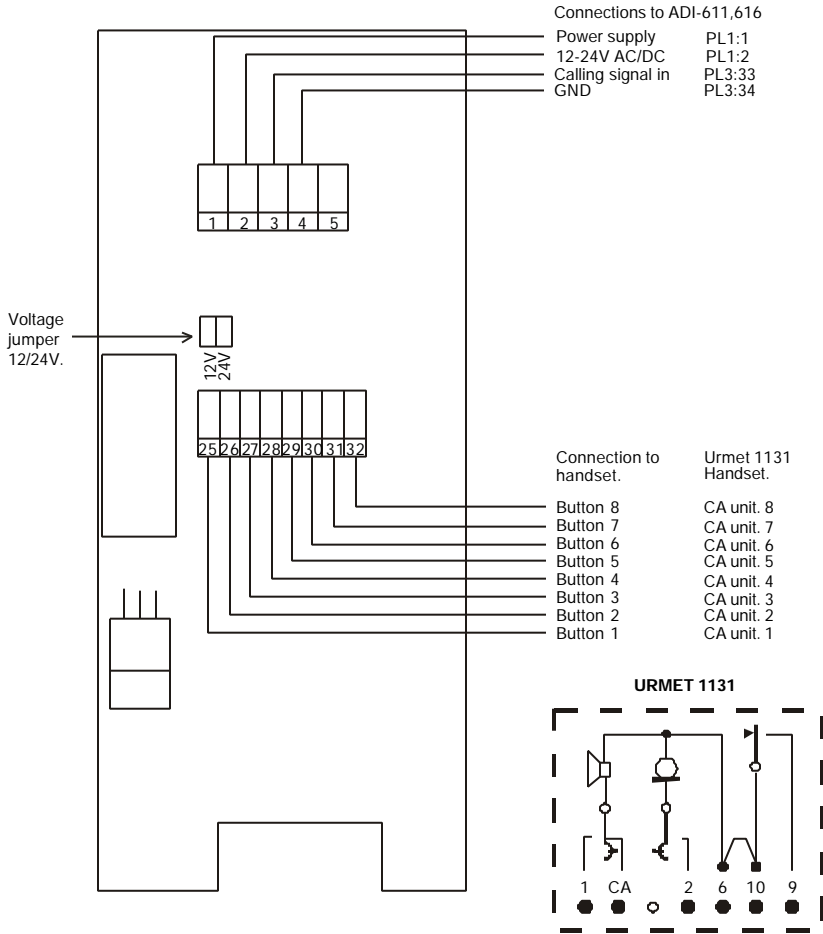
Power consumption

Voltage	ADI-611	ADI-616
12V	min. 63mA max. 98mA	min. 140mA max. 158mA
24V	min. 49mA max. 76mA	min. 130mA max. 159mA

NOTE!

If more than one handset will be connected to the same button, all wires must be connected in parallel.

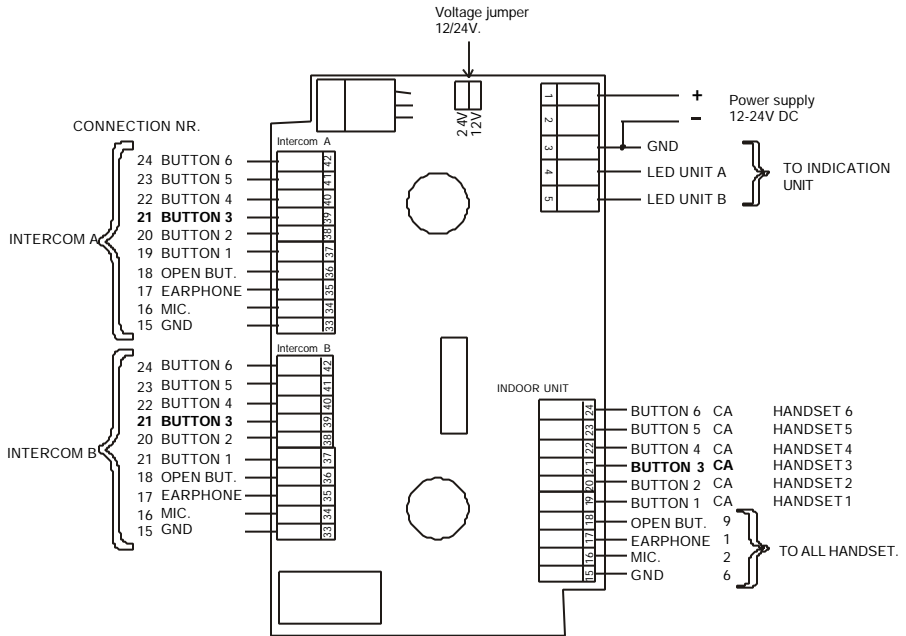
AXCALL ADI-608.



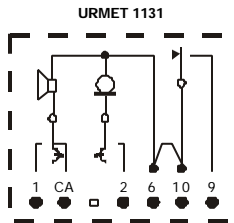
Power consumption

Voltage	ADI-608
12V	max. 139mA
24V	max. 163mA

AXCALL SWU.



Note! For intercom ADI-611 use input with bold style.

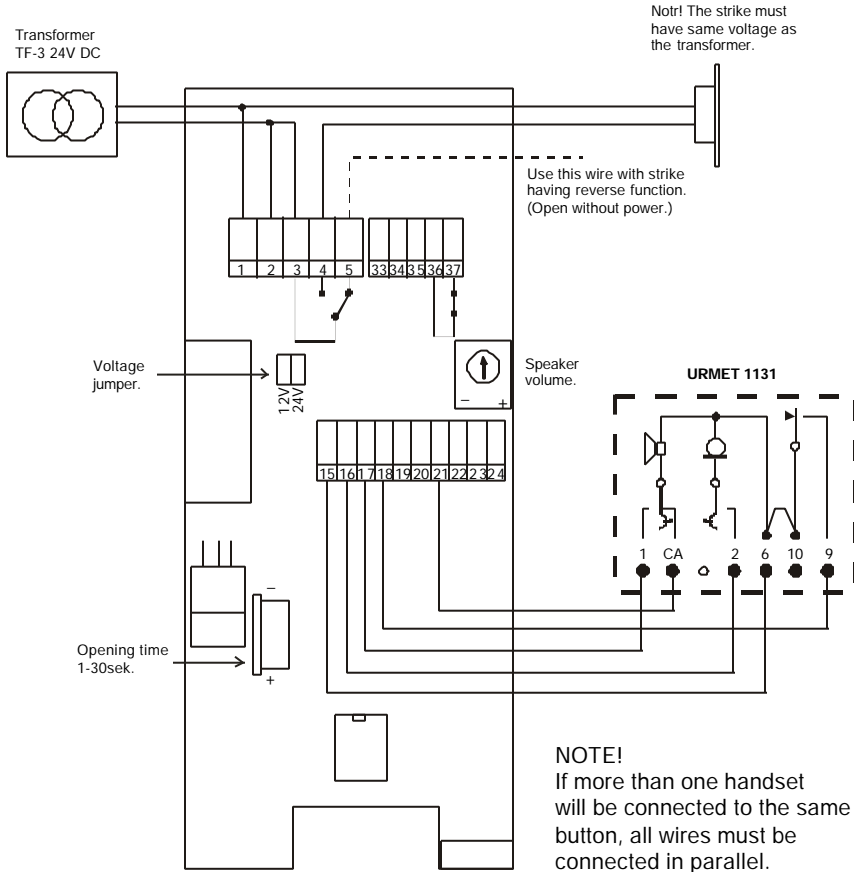


Power consumption

Voltage	Current
12V	max. 167mA
24V	max. 200mA

4. CONNECTION EXAMPLE

ADI-611 TO DI-651



Power consumption

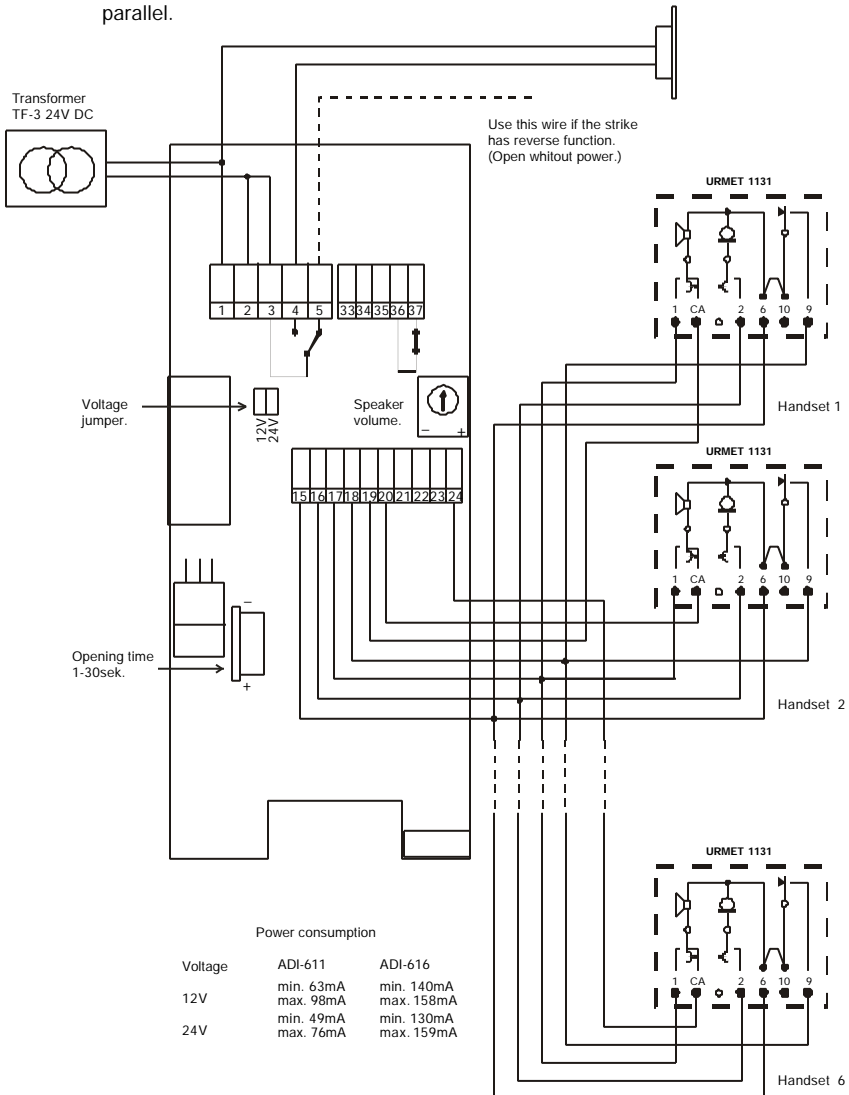
Voltage	ADI-611	ADI-616
12V	min. 63mA max. 98mA	min. 140mA max. 158mA
24V	min. 49mA max. 76mA	min. 130mA max. 159mA

ADI-616 TO DI-651

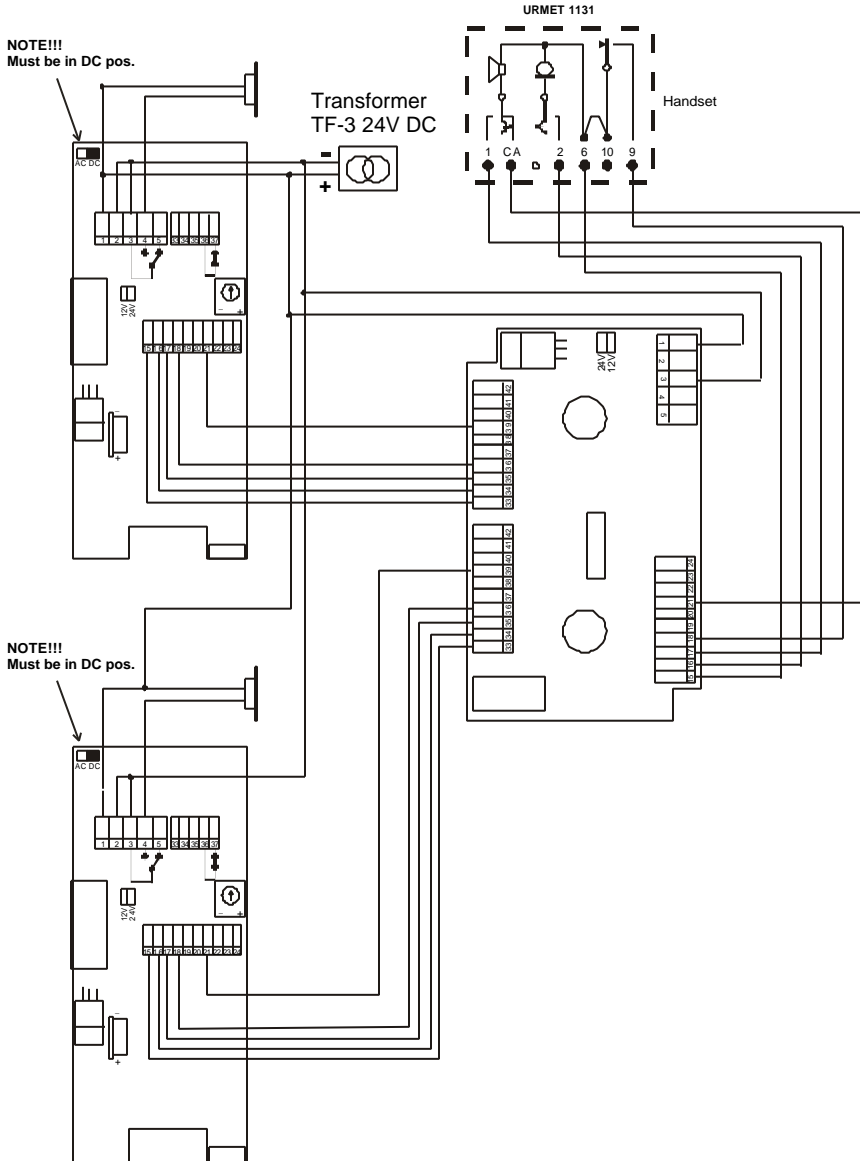
NOTE!

If more then one handset will be connected to the same button, all wires must be connected in parallel.

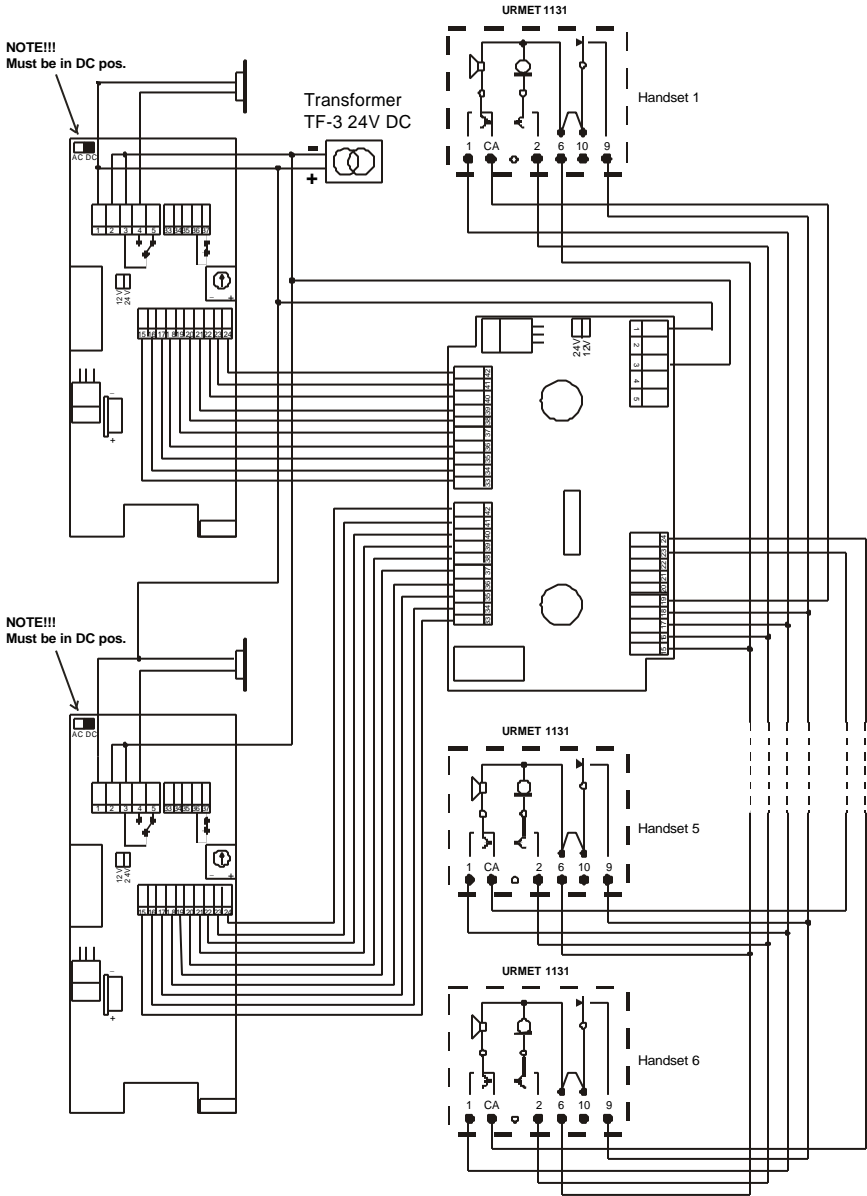
Note! The strike must have same voltage as the transformer.



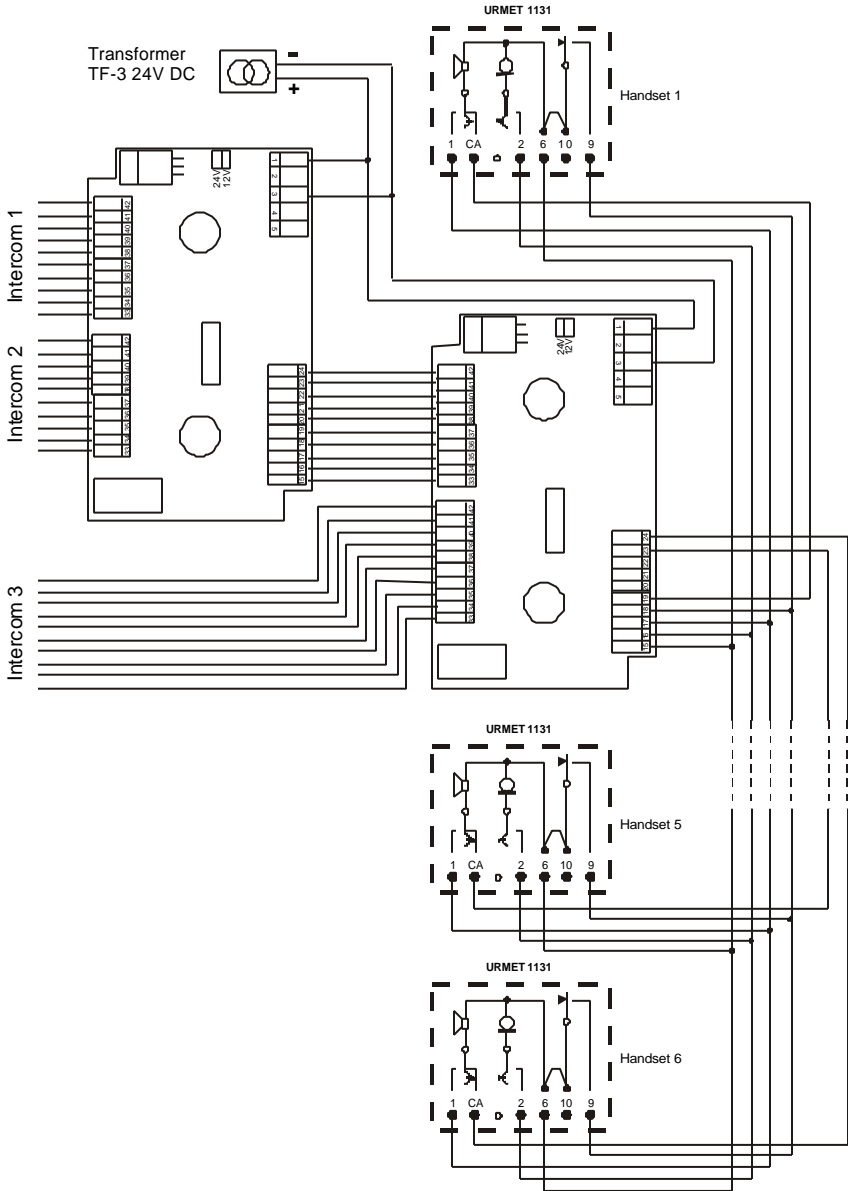
2 PCS ADI-611 TO SWU



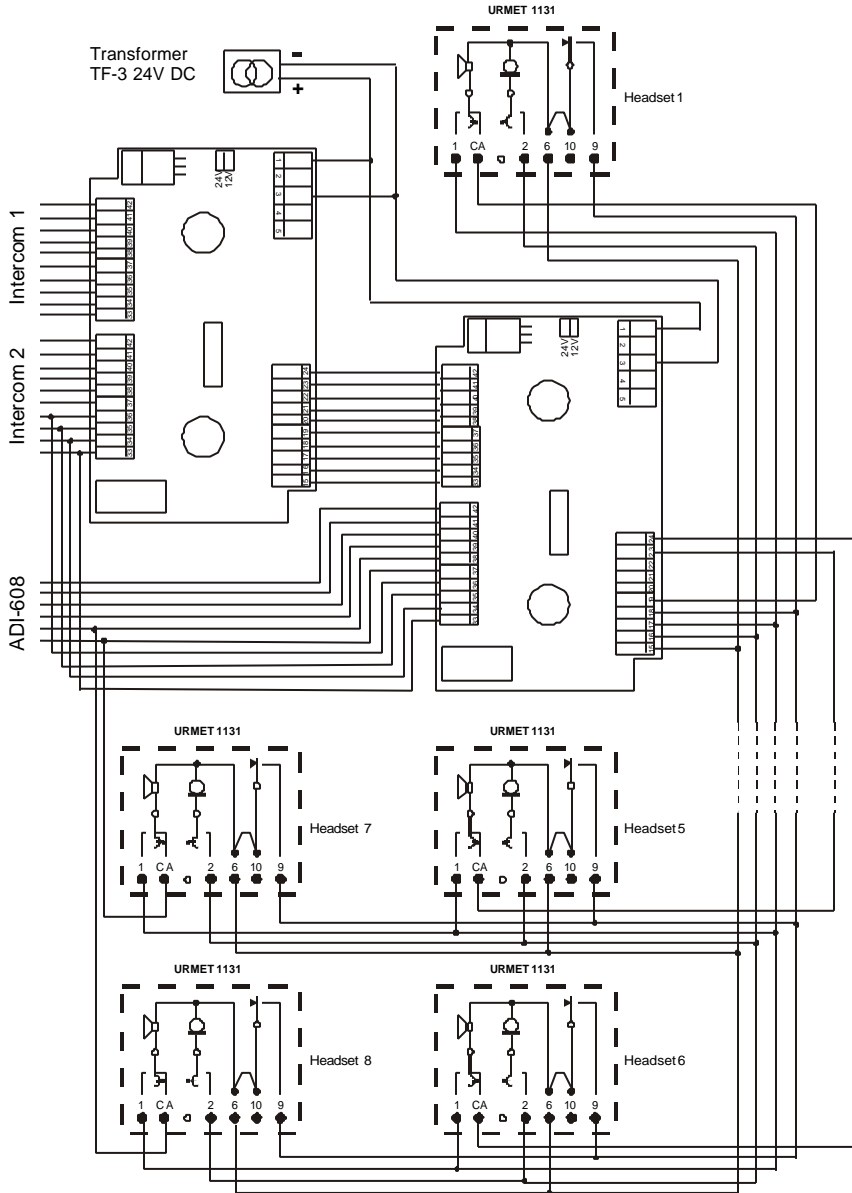
2 PCS ADI-616 TO SWU



CASCADE CONNECTION OF SWU

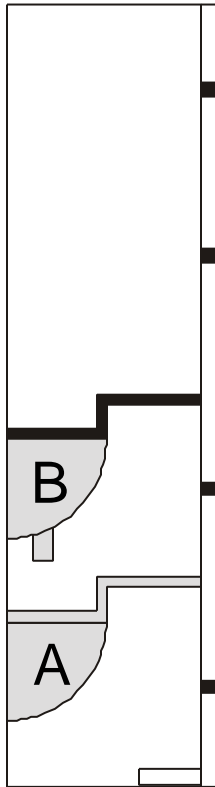


CASCADE CONNECTION WITH SWU AND ADI-608



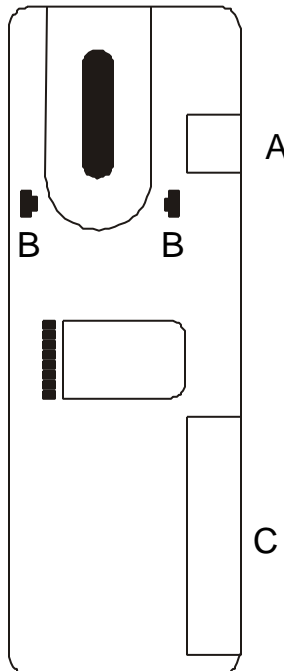
MODIFICATION OF FRONT PLATE FOR LED INDICATION.

- Cut carefully away the plastic pieces which is marked grey on the picture. Use a small sharp electronic cutter.
- NOTE!! Do not remove the piece in the middle marked black.

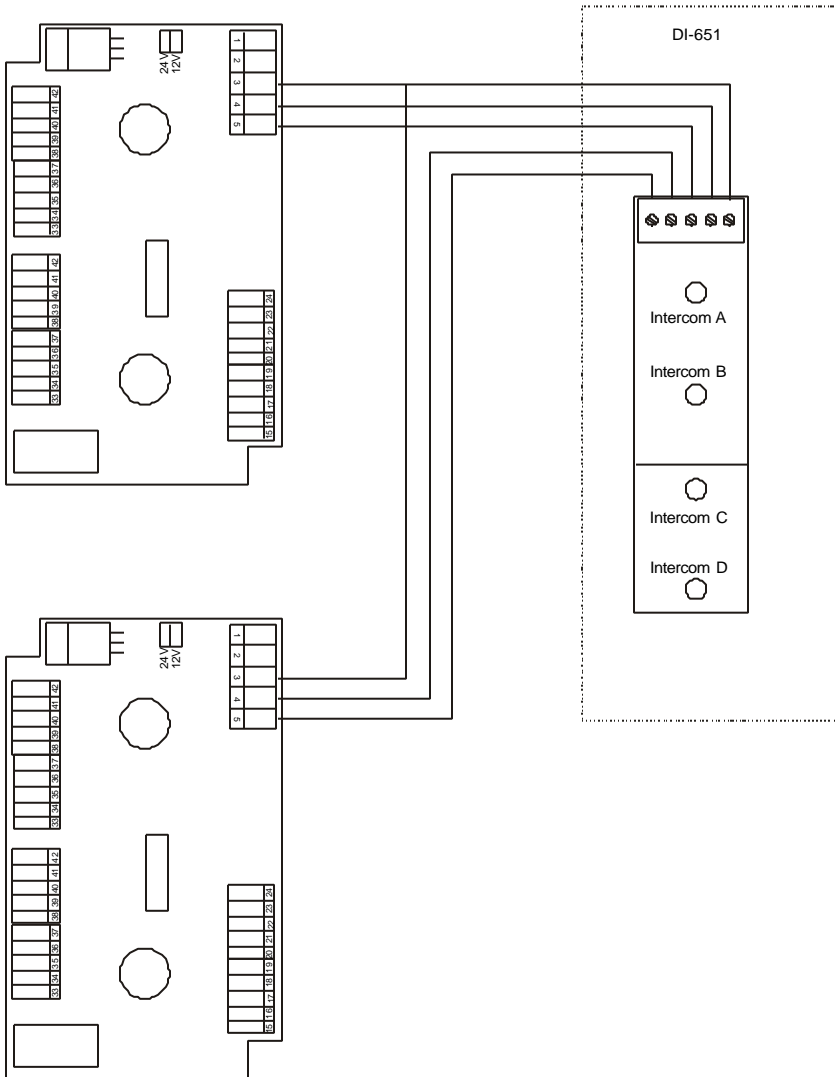


MOUNTING LED INDICATION PANEL IN DI-651

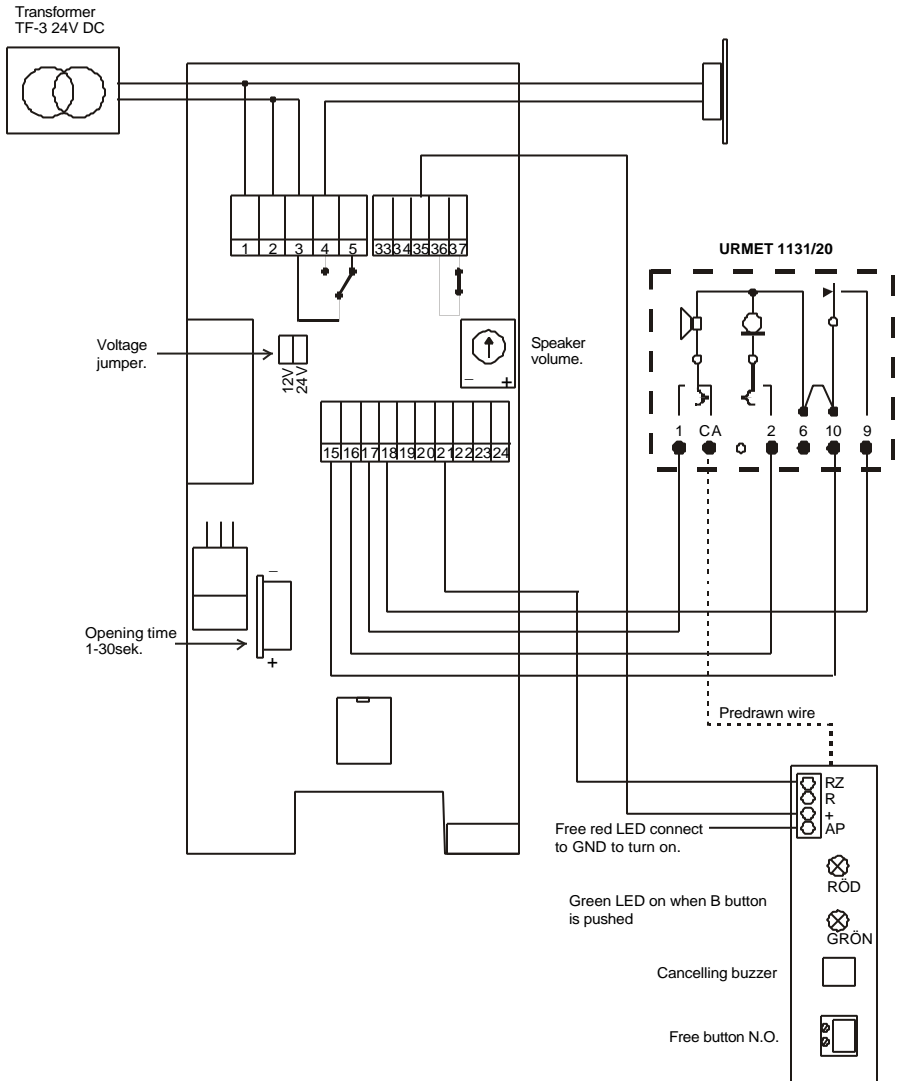
- Remove the old front plate from DI-651.
- Replace opening button (A). Snap from backside.
- Replace headset holder (B). Snap from frontside.
- If LED panel with 4 LED will be mounted, modificate the front plate see sep. instruction.
- Mount the cover for LED (C).
- If LED panel for 2 LED will be mounted, cut the card in two pieces mount 2 blindcover in the frontplate, leave the modification above.
- Mount LED card with a skrew in the bottom plate.



CONNECTION OF LED INDICATION UNIT.

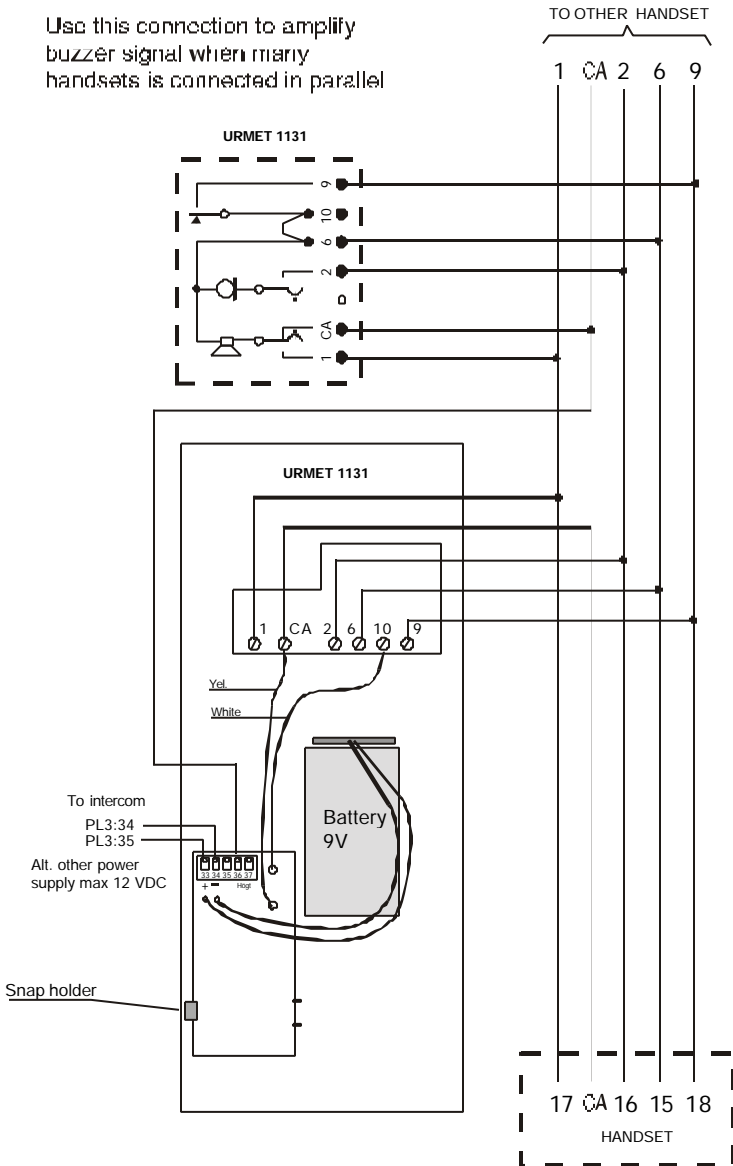


CONNECTION OF ADI-611 TO DI-651-1.



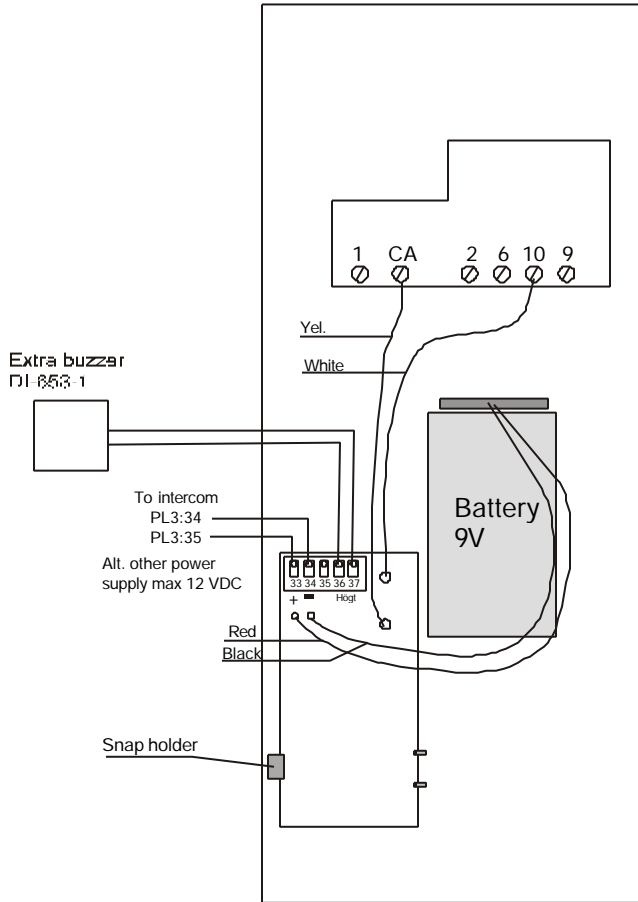
LINE AMPLIFIER DI-653-2 CONNECTED TO DI-651.

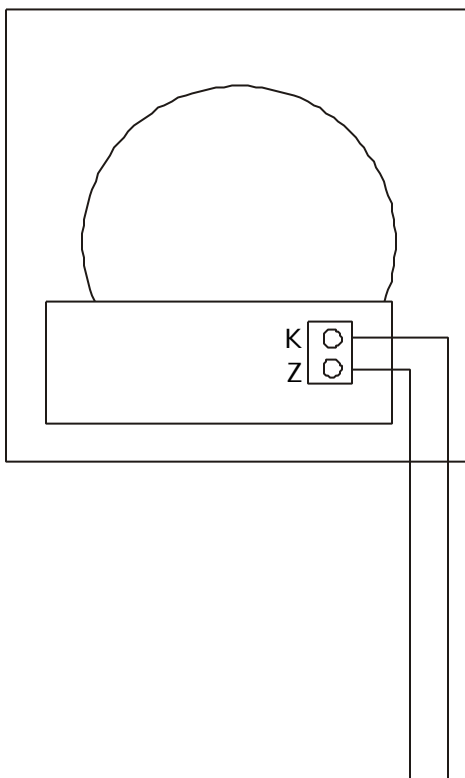
Use this connection to amplify
buzzer signal when many
handsets is connected in parallel



LINE AMPLIFIER DI-653-2 CONNECTED TO DI-653-1.

Use this connection to amplify the signal to an extra buzzer.

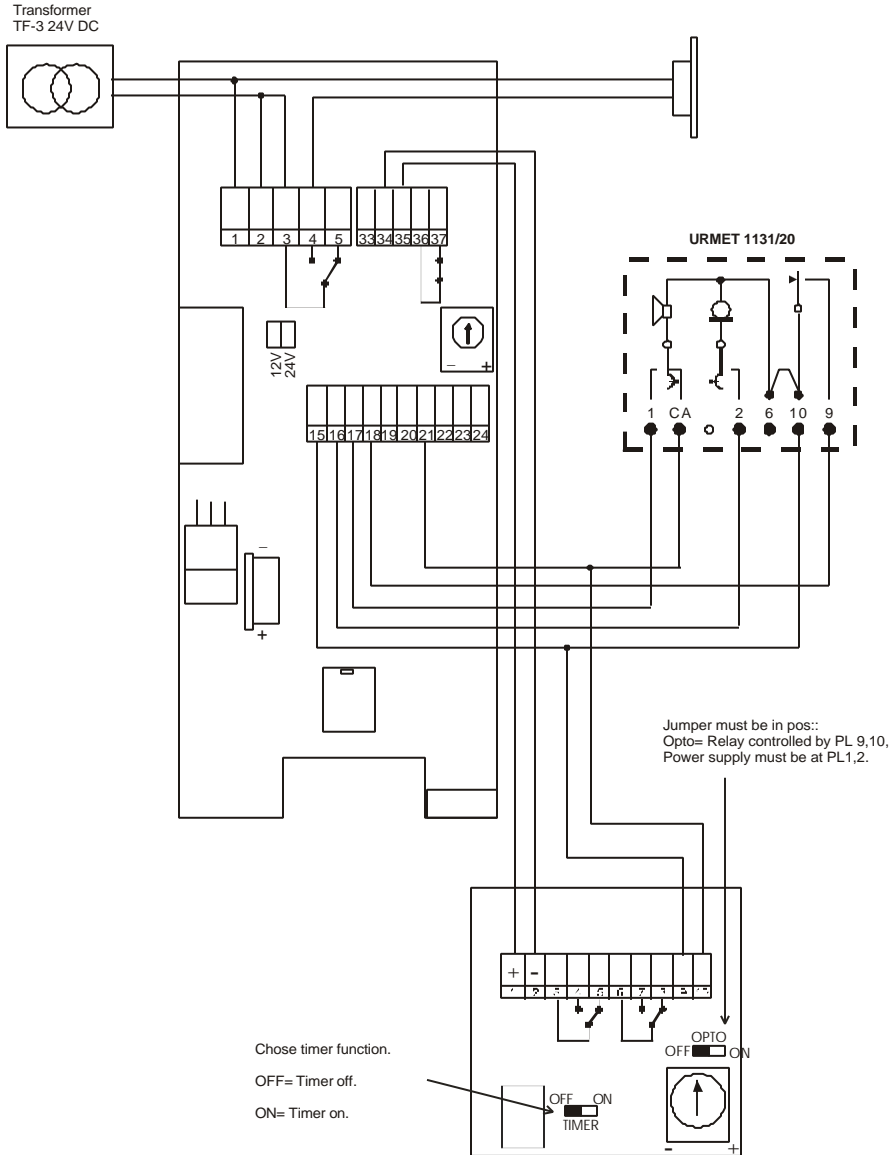


EXTRA BUZZER DI-653-1.

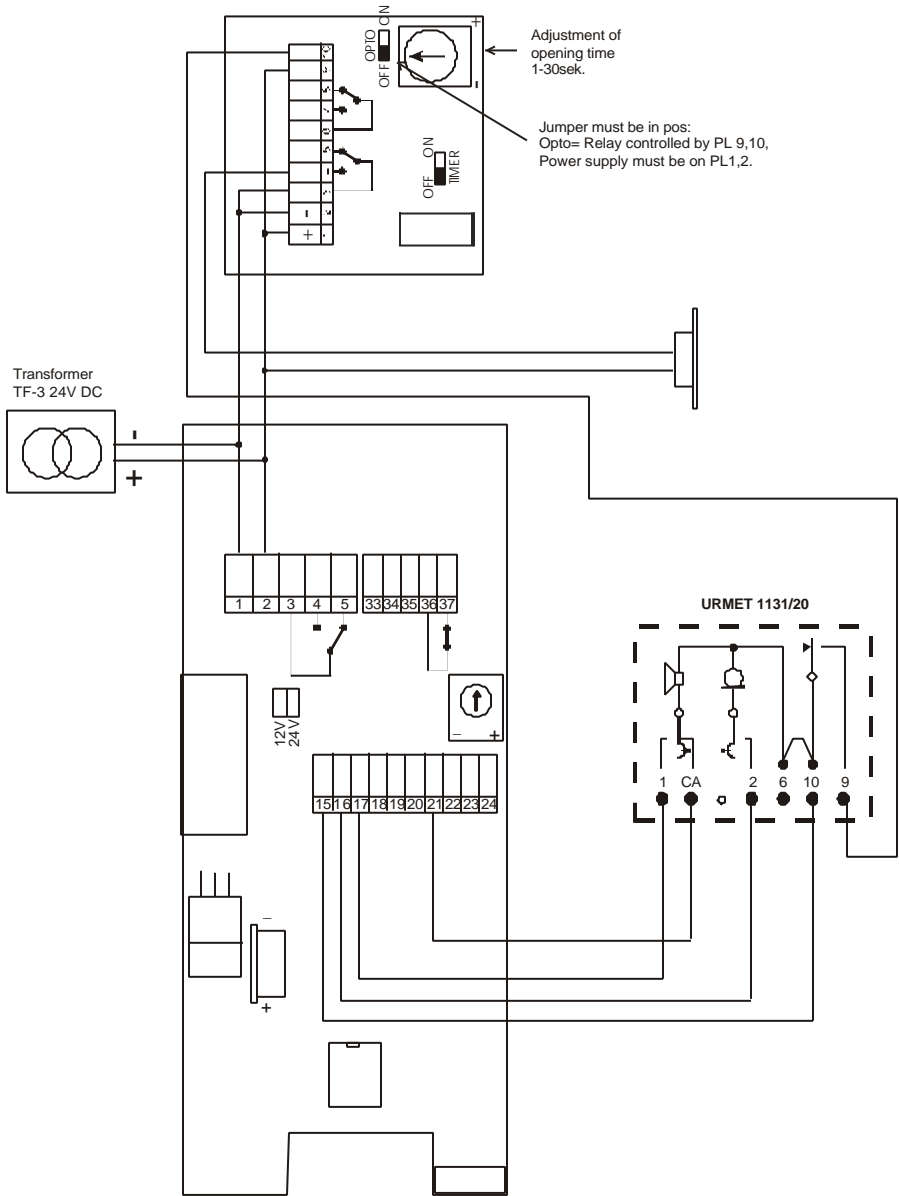
Connection in the indoor unit DI-651-X CA 6

Connection in the line amplifier DI-653-2 36 37

AR-12 TO OTHER SIGNAL DEVICE.



AR-12 AS SECURITY DEVICE.



Installed by:

Telephone: