

Radio receiver with 2 relays

UC-04 is a radio receiver with two relays, for the 433,92MHz band. It is can be used for remote opening of a door or a gate. The receiver works with the Axema transmitters/radio keys. The range could be up to a 100 meters depending on receiving conditions.

Up to 15 transmitters can be programmed into the receiver. The programming is done through teach in.

Functions:

The relays can programmed to work in tree different ways:

- Pulse.** On for 5 sec. for each push on the button.
- Continues.** On as long as the button is pressed.
- Bistable.** Toggles for each push on the button.

The LED is indicating:

- Flashing** Normal function.
- On** Teach in.
- Off** Special teach in..

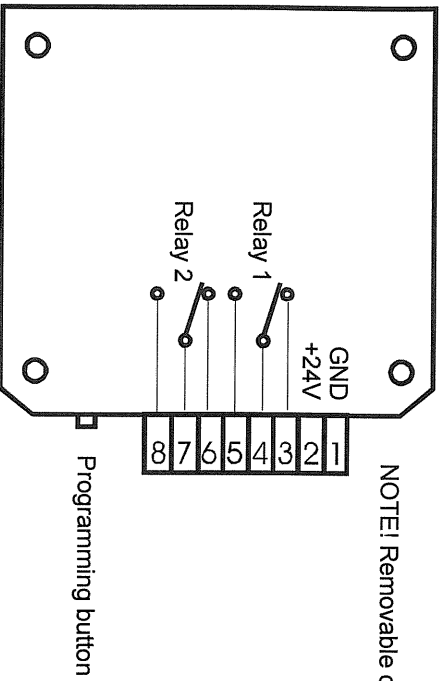
Transmitter function:

- The small button controls relay 1.**
- The big button controls relay 2.**

Electrical data:

- Power supply: 24VDC.
- Relay contacts: Max 24V 5A.

Connections:



Reset:

Press the programming button until the LED starts flash again (app 10 sec). The LED is on during reset. Release the button when the reset is done.

Programming the relay function:

Use one of the transmitters to decides witch function the relays should have. Both relays will get the same function, and that goes for all transmitters. Choose **one** of the following tree alternatives:
(NOTE. This transmitters will also be programmed.)

- 1 Relay gets Pulse function:** (e.g. normal strike 5 sec.)
 - Press programming button and release it.
 - The LED turns on.
 - Press the **small button** on the transmitter.
 - The LED starts flash again.
- 2 Relay gets Continues function:** (e.g. a marquis)
 - Press programming button and release it.
 - The LED turns on.
 - Press the **big button** on the transmitter.
 - The LED starts flash again.
- 3 Relay gets Bistable function:** (e.g. holding a strike in open pos.)
 - Press programming button and release it.
 - The LED turns on.
 - Press the **both button** on the transmitter.
 - The LED starts flash again.

To change the relay function, see next page. (Special learning.)

Programming of more transmitters (NR 2 to 15.)

The first transmitter is automatically when programming the relay function as above. More transmitter is programmed as below:

- Press programming button and release it.
 - The LED turns on.
 - Press one of the button on the transmitter.
 - The transmitters both buttons will be programmed.
 - Repeat (within 10 sec.) by pressing the button on the rest of your transmitters
- Cancel the programming by wait until the LED starts to flash again.

Other relay functions. (Special learning.)

If you need different functions on relay 1 or relay 2 you change one of the relay functions that you programmed in the first programming.

- Press programming button and release it.
- The LED turns on.
- Press programming button again and release it.
- The LED turns off.
- Take one of the already programmed transmitter and press:
 - Small button to change function for relay 1.
 - Big button to change function for relay 2.
- The LED flashes and turns off.
- Press Small button to change to PULSE function.
- Press Big button to change to CONTINUES function.
- Press Both button to change to fill BISTABLE function.
- Do the same for others transmitter.

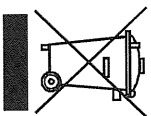
AEMA

Passagekontroll AB
Box 90215
120 23 STOCKHOLM

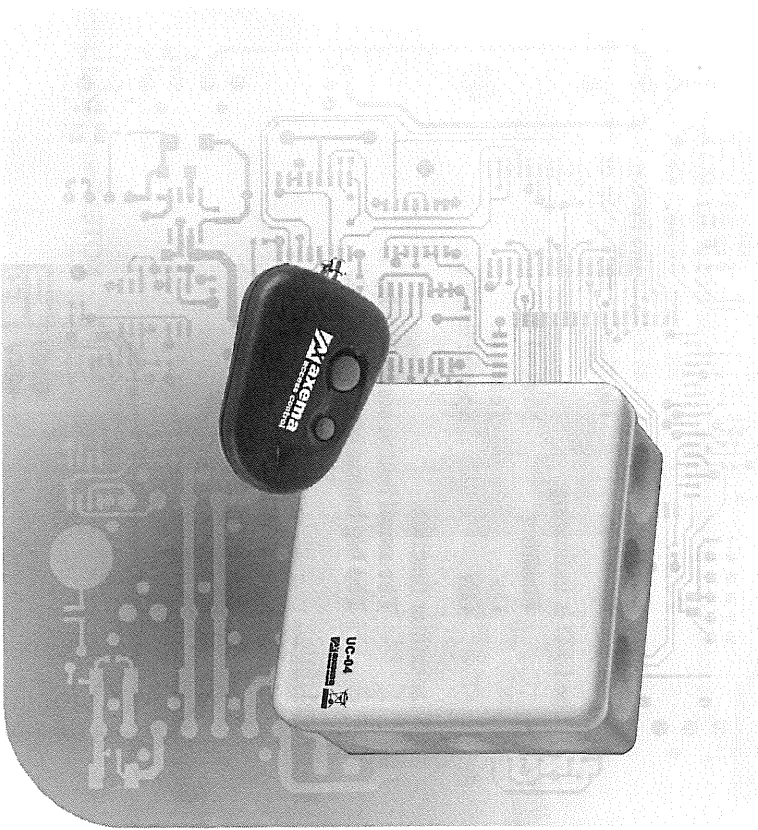
Tel: 08-722 34 40
Fax: 08-722 34 50

Installed by:

Telephone:



Installation - and user manual



UNIKKEY

UC-04

AEMA
Passagekontroll AB